

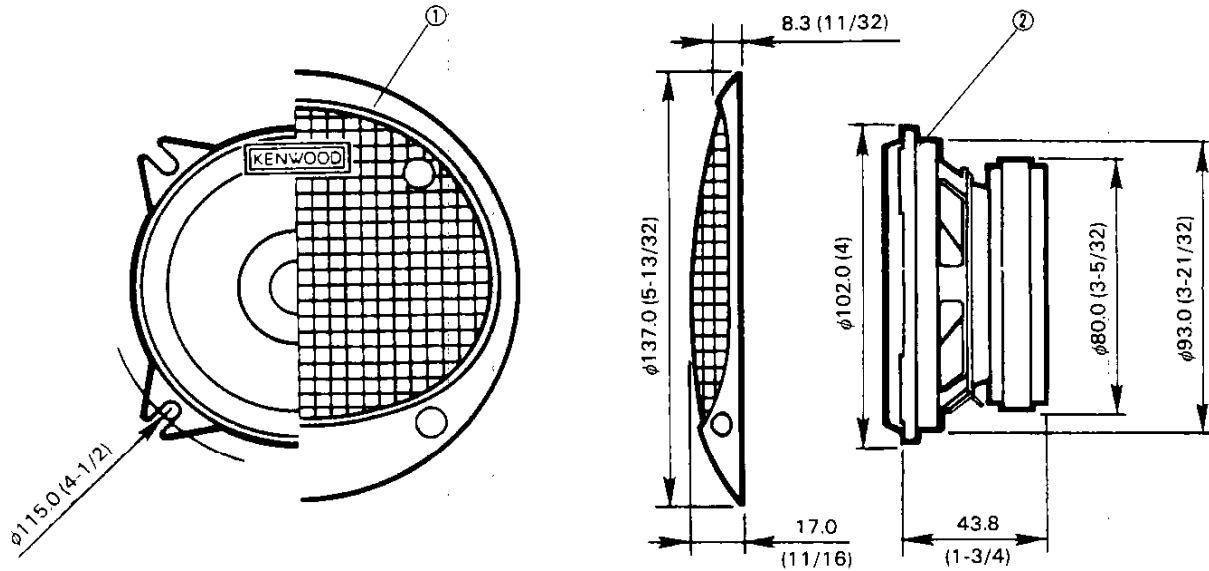
KFC-103D

SERVICE MANUAL

KENWOOD

© 1986-12 PRINTED IN JAPAN
B51-3110-00 (G) 1371

EXTERNAL VIEW



Unit: mm (inch)

SPECIFICATIONS

Speaker type _____ 170g (6 oz) Magnet
 10cm (4") Water-resistant cone
 Peak power _____ 45 watts
 Sensitivity _____ 90 dB/w at 1m
 Impedance _____ 4 ohms
 Insulated cable _____ 3m (9.8ft) 2 pcs
 Weight per speaker with grille _____ 590g (1 lb 6 oz)

PARTS LIST

* New Parts
 Parts without Parts No. are not supplied.
 Les articles non mentionnes dans le Parts No. ne sont pas fournis.
 Teile ohne Parts No. werden nicht geliefert.

Ref.No.	New Parts	Parts No.	Description	Destination
①		B06-0256-08	FRONT GRILLE	E
①		B06-0257-08	FRONT GRILLE	T
		E30-1182-08	SPEAKER CORD SET	
		N99-1045-08	SCREW SET	
②	*	T07-0128-08	SPEAKER (CONE)	



COPY